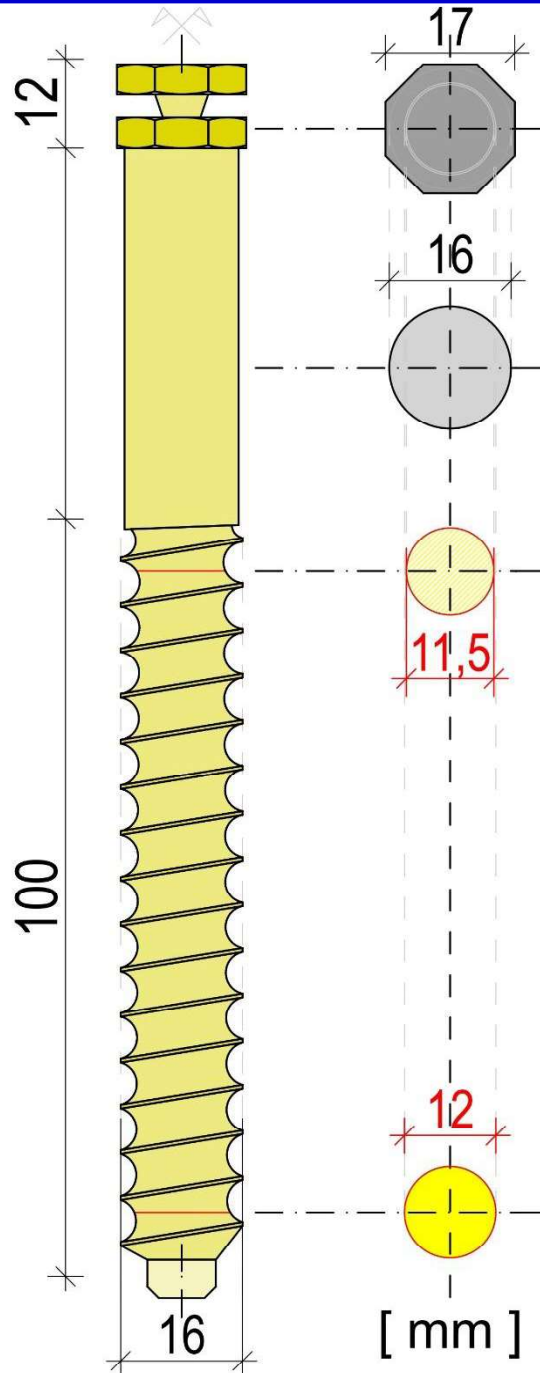


ALFER CONNECTOR WOOD-WOOD

SNAP-OFF SYSTEM PRODUCT SHEET



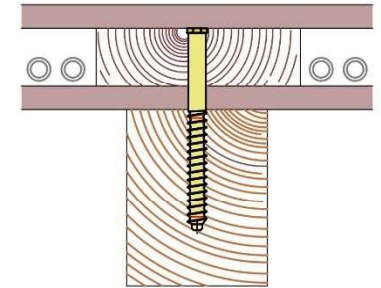
AREA OF APPLICATION

STATIC RECOVERY:

A) EXISTING WOOD FLOORS

NEW BUILDINGS:

B) WOOD-WOOD FLOORS



INSTALLATION STEPS

EQUIPMENT

1) TRACING

- CHALK LINE TRACER



2) DRILLING

- Ø11.5 DRILL BIT METAL
- Ø16 DRILL BIT METAL



- DRILLING MACHINE



3) TIGHTENING

- 17 MM IMPACT SOCKET



- POWER IMPACT WRENCH MIN 280N

